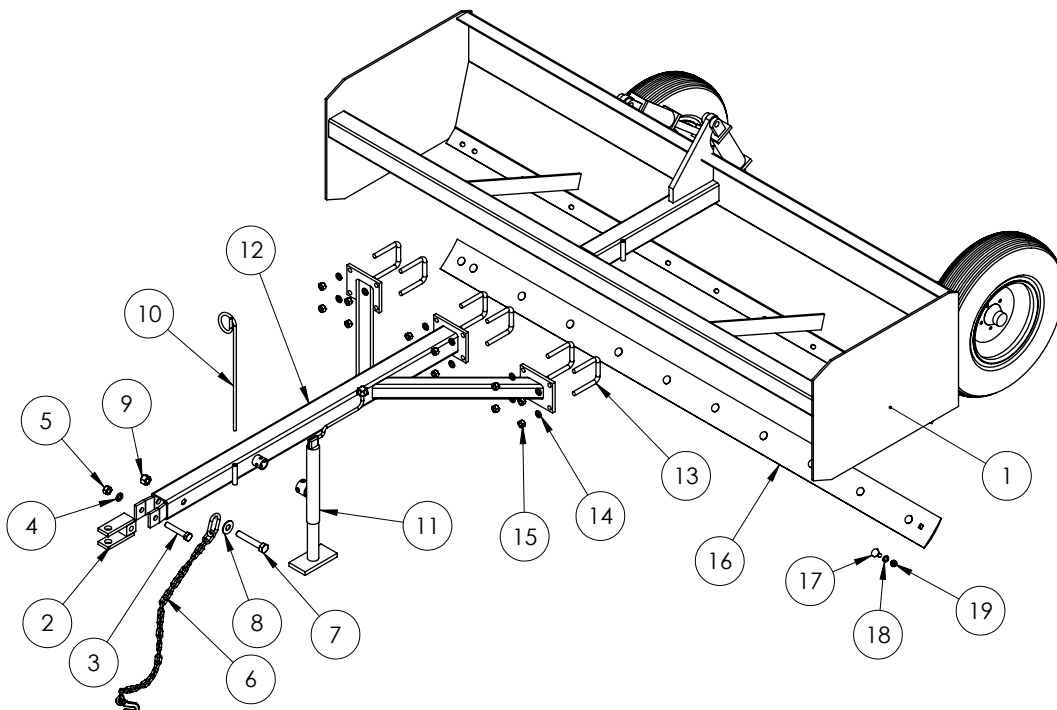


# DS1 SERIES

ITEM NO.	PART NUMBER	DESCRIPTION	QTY.
1	15923	BOX FRAME WELDMENT 96	1
	15924	BOX FRAME WELDMENT 120	1
	15925	BOX FRAME WELDMENT 144	1
2	T-2665	TONGUE CLEVIS WELDMENT	1
3	T-772	HEX BOLT, 7/8" X 5" GR. 5	1
4	T-21	LOCK WASHER, 7/8"	1
5	T-19	HEX NUT, 7/8"	1
6	15186	SAFETY CHAIN	1
7	15349	HEX BOLT, 1" X 6" GR. 5	1
8	T-606	FLAT WASHER, 1"	1
9	10332	LOCK NUT, 1"	1
10	T-465	HOSE HOLDER	1
11	T-933	TONGUE JACK	1
12	15950	TONGUE WELDMENT	1
13	11971	U-BOLT	6
14	T-31	LOCK WASHER, 3/4"	12
15	T-27	HEX NUT, 3/4"	12
16	10706	CUTTING EDGE, 96"	1
	13456	CUTTING EDGE 120"	1
	10702	CUTTING EDGE 60"	2
	10704	CUTTING EDGE 72"	2
17	10699	PLOW BOLT 5/8" X 1 3/4"	*MS
18	T-24	LOCK WASHER 5/8"	*MS
19	T-22	HEX NUT 5/8"	*MS

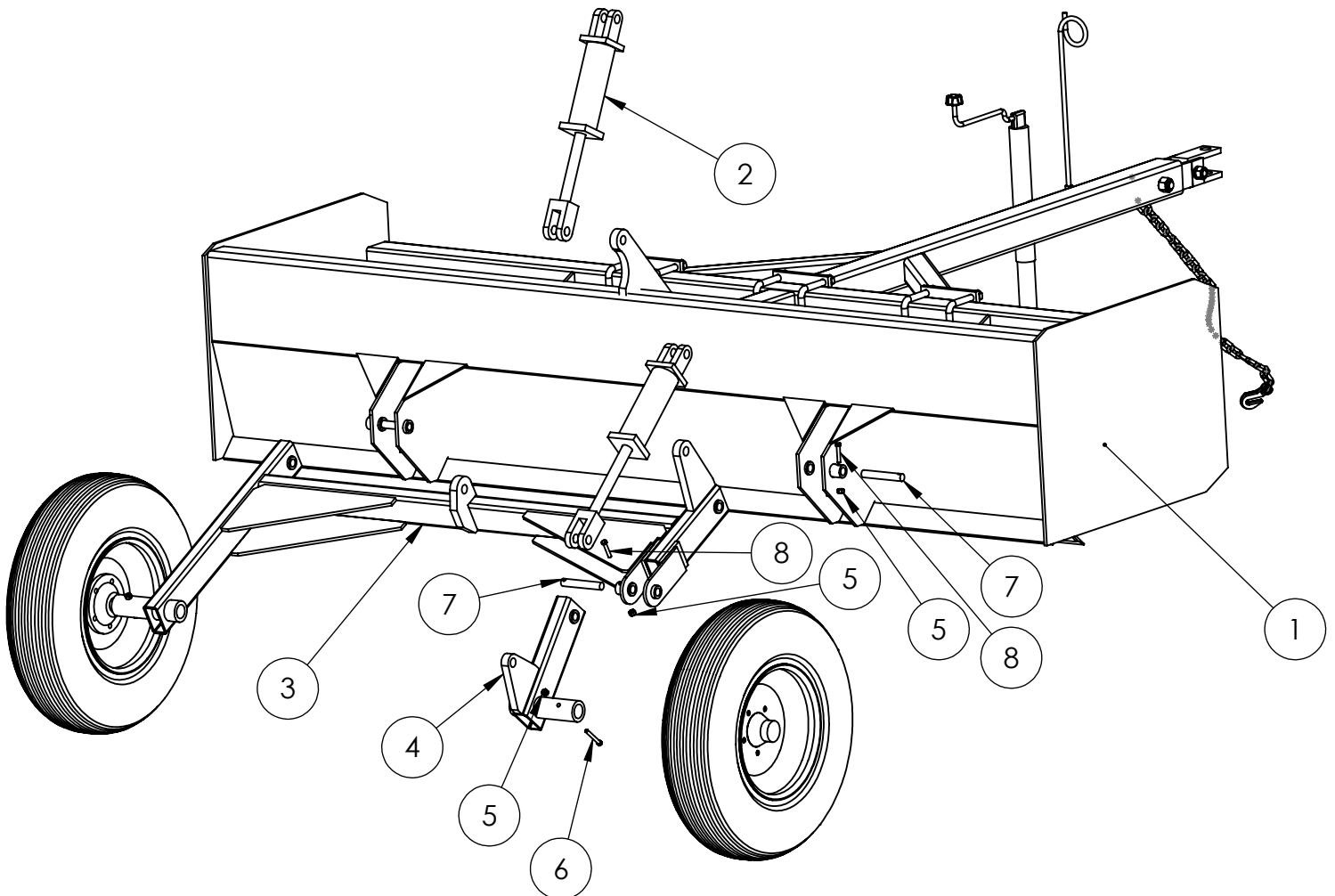


# DS1 SERIES

ITEM NO.	PART NUMBER	DESCRIPTION	QTY.
1	15924	BOX FRAME WELDMENT 120	1
2	11743	HYDRAULIC CYLINDER, 3" X 8"	2
3	15933	WHEEL CARRIAGE WELDMENT (TILT)	*MS
	15947	WHEEL CARRIAGE WELDMENT (NON-TILT)	*MS
4	15934	TILT ARM WELDMENT	*MS
5	12889	FLANGE LOCK NUT, 3/8"	5
6	T-892	HEX BOLT, 3/8" X 3" GR. 5	2
7	15990	WC PIVOT PIN	3
8	15991	HEX BOLT, 3/8" X 2" GR. 5	3
NS	15998	HYDRAULIC HOSE 180"	2
NS	15540	MALE-FEMALE SWIVEL ELBOW	*MS
NS	15999	HYDRAULIC HOSE 220"	*MS

NOTE: \*MS= MODEL SPECIFIC

15947 NON-TILTING WHEEL CARRIAGE WELDMENT IS NOT SHOWN



# DS1 SERIES WHEEL ASSY

ITEM NO.	PART NUMBER	DESCRIPTION	QTY.
1	T892	HEX BOLT, 3/8" X 3", GR.5	4
2	12899	FLANGE LOCK NUT, 3/8"	4
3	T564	SPINDLE, 1 5/8"	4
4	T576	SEAL, 1 1/2"	4
5	T575	WHEEL BEARING, 1 1/4"	4
6	T562	LUG STUD, 1/2" X 1 1/2"	20
7	T572	5- BOLT HUB ASSEMBLY	4
8	T574	WHEEL BEARING, 3/4"	4
9	T603	SPINDLE WASHER, 3/4"	4
10	T567	SLOTTED NUT, 3/4"	4
11	T342	COTTER PIN, 5/32" X 1 1/4"	4
12	95L156T	IMPLEMENT TIRE, (9.5L-15/6T TUBELESS)	4
13	T612	15" X 6" X 5-HOLE WHEEL	4
14	T23	LUG NUT, 1/2"	20
15	T577	HUB CAP	4
16	13630	5 BOLT HUB & SPINDLE ASSY.	4
N/S	T582	OUTER WHEEL BEARING CUP	4
N/S	T583	INNER WHEEL BEARING CUP	4

